

LS 1912

Toggle switch inserts / toggle push-button inserts
Centre plates with toggle lever

Ref.-no.: K 50.. EU, K 53.. EU, K 509 VEU, K 539 VEU
Ref.-no.: ..12-0.., ..12-20.., ..12-25.., ..12-5..

ALBRECHT JUNG GMBH & CO. KG
Volmestraße 1
58579 Schalksmühle
GERMANY

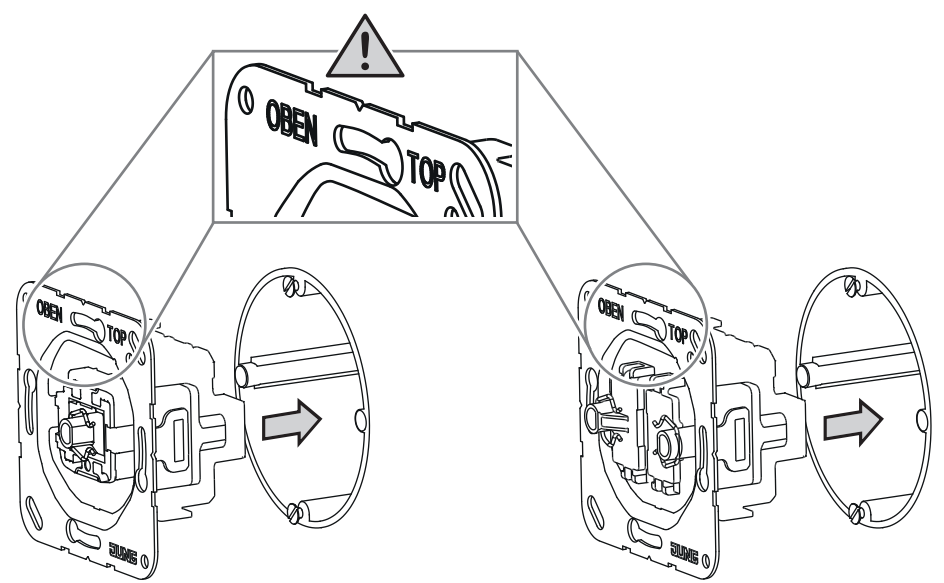
Tel. +49 2355 806-0
Fax +49 2355 806-204
kundencenter@jung.de
www.jung.de

Installation instructions

GB

08/2018
0024020800

1



2

